

N3-CX Series

Multifunctional Thermal Imaging Core Module

Specification V1.0



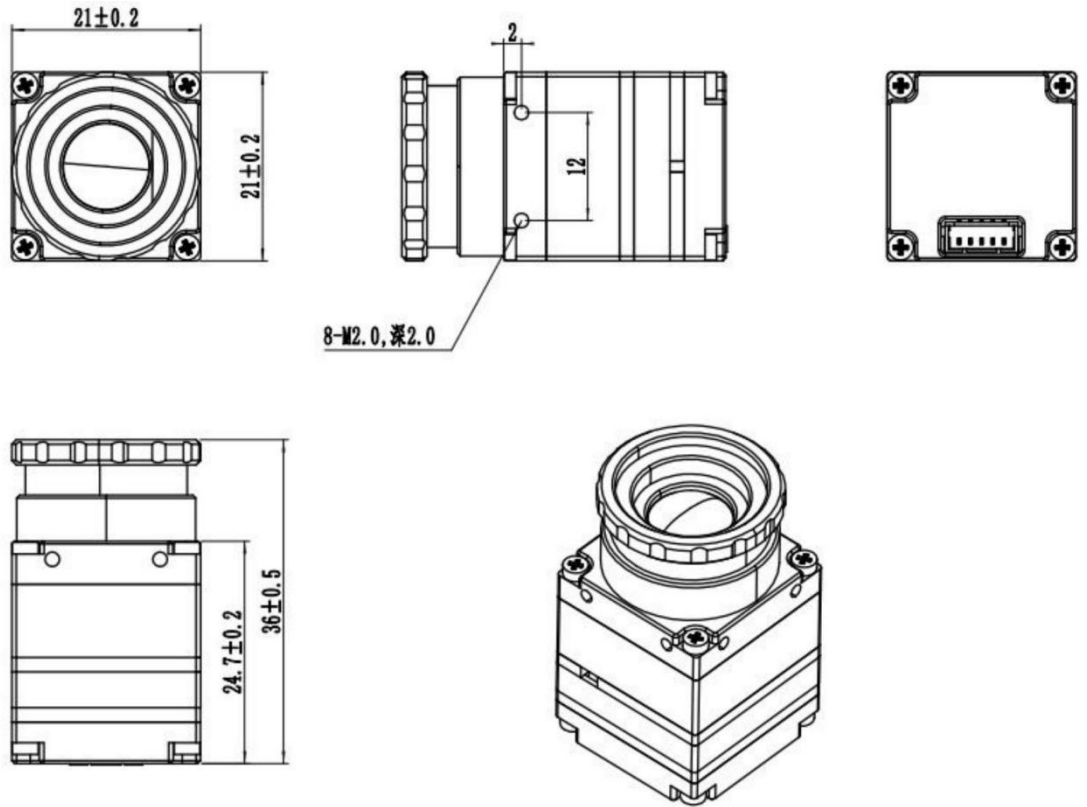
Product Model: N3-CX

Functional Specifications

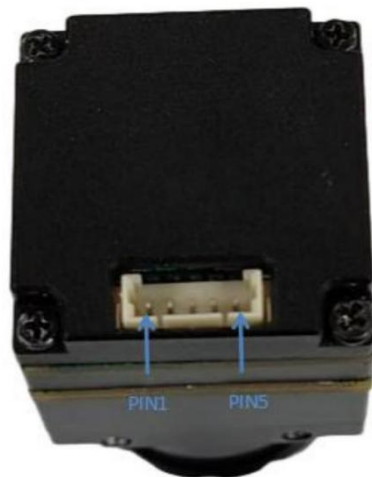
Model		N3-CX-4	N3-CX-9.1
Lens Specifications	Focal Length (mm)	4mm	9.1mm
	Field of View(FOV)	59.9*46.7°	28.4*21.5°
	Detection Distance	400m	910m
	Recognition Distance	100m	228m
	Identification Distance	50m	114m
Detector Specifications	Detector Type	Uncooled Focal Plane Array Detector (VOx - Vanadium Oxide)	
	Spectral Response	8~14um	
	Pixel Pitch	12um	
	Resolution	384x288(Effective FPA)	
	NETD	≤35mK(f/1.0 50Hz 300K)	
	Frame Rate	50Hz	
Interface Specifications	Analog Video Interface	CVBS(PAL Format)	
	Control Interface	UART (Baud Rate: 115200)	
	Interface Specification	SMD,P=1.25mm-5P	
Function Specifications	Pseudo-color Modes	White Hot (default), Black Hot, Red Hot, Iron Red, etc.	
	Image Enhancement Mode	Adjustable	
	Brightness	Adjustable	
	Contrast	Adjustable	
	Digital Zoom	1X to 8X zoom	
	Shutter Mode	With Shutter, Auto Shutter mode	
	Lid Calibration	Supports UART serial protocol	
	Non-Uniformity Correction (NUC)	Supports UART serial protocol	
Physical Characteristics	Power Supply Input	4.5v~27v	
	Operating Temperature	-20°c ~ + 60°c	
	Power Consumption	≤0.6w	
	Shock	80g @ 4ms	
	Weight	26.5g	
	Dimension	21mm*21mm*36mm	
	Secondary Development	/	

Dimension Specifications / Interface

Dimensions (vary by version)



Interface Definition



5pin/1.25Terminal

1: RX

2: TX

3: CVBS

4: GND

5: 4.5-27V